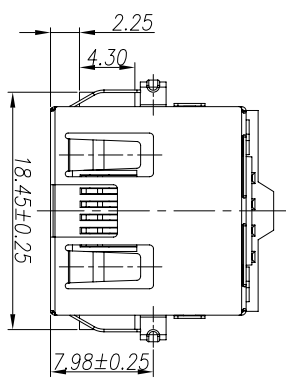
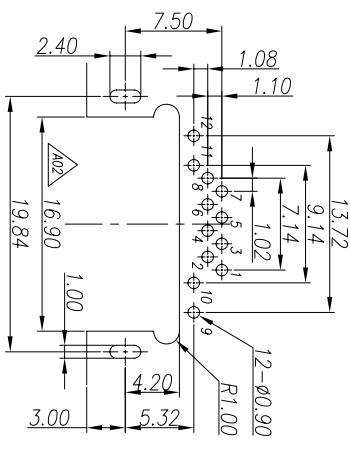
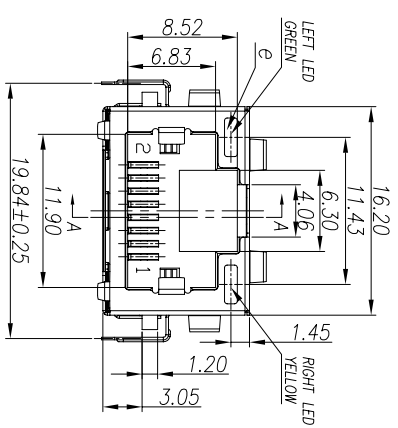
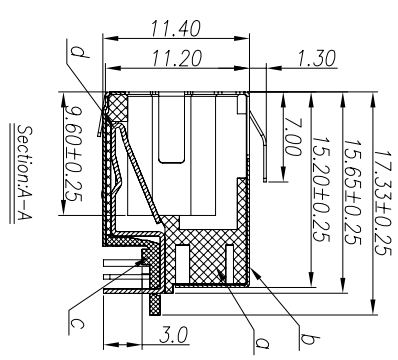


CATEGORY	DESCRIPTION	P/N #	REV.	ECN NO	DESCRIPTION	REVISED	DATE
CONNECTOR	Modular Jack, 8P8C, R/A, With LED	M88-XX11-RVSL1-X	A02		修改LAYOUT	XSY	2017.07.01
			A03		塑胶主体增加颜色及包装方式选项	XSY	2018.01.12

料号由原 M88-BX11-RVSL1
变更为 M88-XX11-RVSL1-X

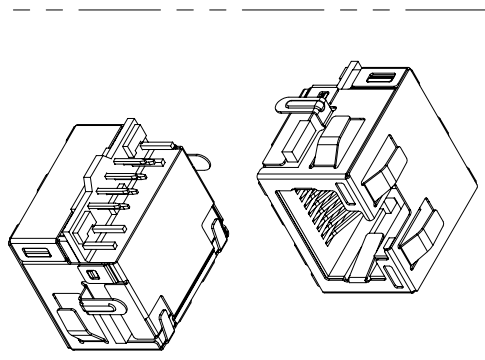
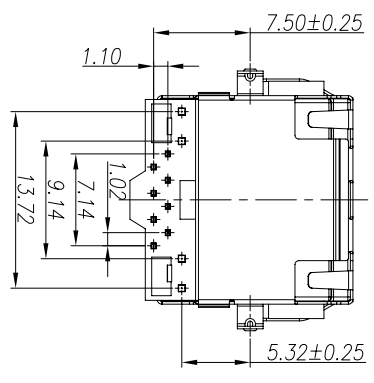


- Specifications:
1. Rated Current: 1.5A
 2. Contact resistance: 40mΩ MAX.
 3. Insulation resistance: 500MΩ MIN.
 4. Dielectric withstand: 500V AC for 1 minute
 5. Operating temperature: -40°C~+80°C
 6. Insertion/Extraction life: 750 Cycles



RECOMMENDED PCB LAYOUT (TOP VIEW)
(ALL TOLERANCES ARE ±0.05)

LED COLOR		MODE	COLOR	10-#-9	12-#-11
LED-R	10(+)	9(-)	YELLOW	10-#-9	
LED-L	12(+)	11(-)	GREEN		12-#-11



3D VIEW

X	Terminal Plating	X	Packing
B	LCP BLACK	C	Tape
U	PA9T BLUE	P	Tray

X	Terminal Plating
0	Au 1u" Plating
1	Au 3u" Plating
2	Au 6u" Plating
3	Au 15u" Plating
4	Au 30u" Plating
5	Au 50u" Plating

f	LED-R	1	YELLOW						
e	LED-L	1	GREEN						
d	Terminal	8	PHOSPHOR BRONZE	T=0.35mm	See Table				
c	Cover	1	THERMOPLASTIC	UL94V-0	SEE TABLE				
b	Shell	1	BRASS	T=0.20mm	NI				
a	Housing	1	THERMOPLASTIC	UL94V-0	SEE TABLE				
NO.	PART NAME	Q'TY	MATERIAL	PLATING & COLOR	Remark				

UNLESS OTHERWISE SPECIFIED TOLERANCES
DECIMALS: ANGLES:
X :±0.5 X :±2
XX :±0.3 XX :±1
XXX :±0.2

东莞市合陵电子有限公司
 Dongguan Heling Electronic Co.,LTD
 Connector
 SCALE:1/1 UNIT: mm
 SIZE: A4 PAGE: 10F1 REV:A03
 APPROVED BY: XSY
 CHECKED BY: XSY
 PREPARED BY: XSY
 DWG.NO:
 CUSTOMER COPY