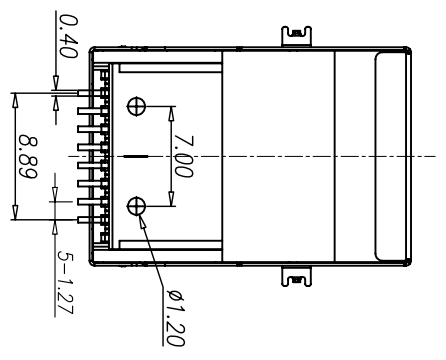
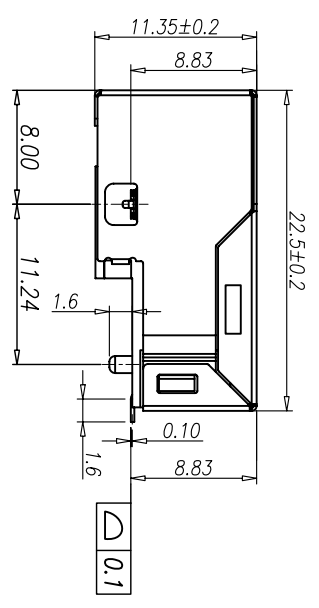
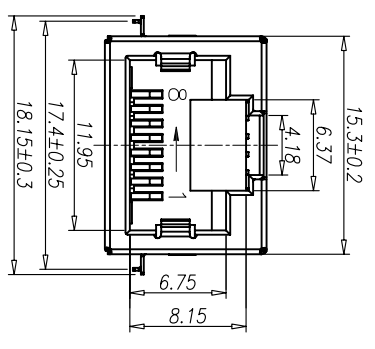


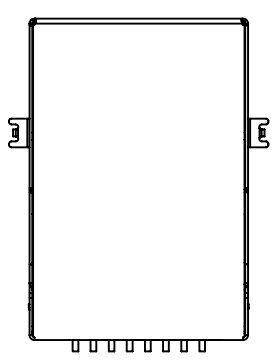
CATEGORY	DESCRIPTION	P/N #
CONNECTOR	RJ45 沉板SMT直通 898C	M6-BX11-RVST1099-X

料号由原 M6-BX11-RVST1099
变更为 M6-BX11-RVST1099-X

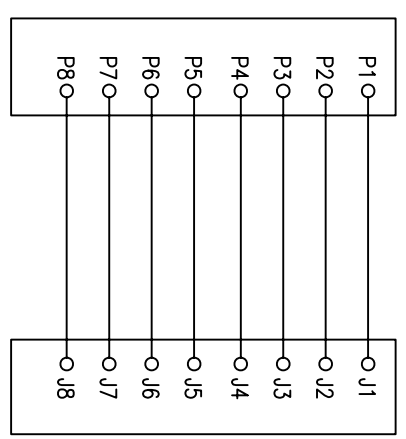
REV.	ECN NO	DESCRIPTION	REVISED	DATE
A01		整理图面	XSY	2015.12.21
A02		新增包装选项	XSY	2016.05.06



RECOMMENDED PCB LAYOUT (TOP VIEW)
(ALL TOLERANCES ARE ±0.05)



TOP VIEW



Material & Plating	
X	Terminal Plating
0	Au 1u" Plating
1	Au 3u" Plating
2	Au 6u" Plating
3	Au 15u" Plating
4	Au 30u" Plating
5	Au 50u" Plating

X	包装方式
C	卷带包装
P	吸塑盒包装

△A02

M6-BX11-RVST1099-X

NO.	PART NAME	Q'TY	MATERIAL	PLATING & COLOR	Remark
e	SHELL	1	BRASS	NI PALTING	
d	SOLDER TERMINAL	8	BRASS	Motte-Tin PALTING	
c	CONTACT TERMINAL	8	PHOSPHOR BRONZE	AU PALTING	
b	COVER	1	LCP UL94V-0	BLACK	
a	HOUSING	1	LCP UL94V-0	BLACK	

UNLESS OTHERWISE SPECIFIED TOLERANCES

SCALE: 1/1 UNIT: mm DWG. NO: WI-161-066

东莞市合陵电子有限公司
DongGuan Heling Electronic Co.,LTD

DECIMALS:	ANGLES:	APPROVED BY	CHECKED BY	PREPARED BY
X : ±0.5	X : ±2°			
X X : ±0.3	X X : ±1°			
X X X : ±0.2				

CUSTOMER COPY